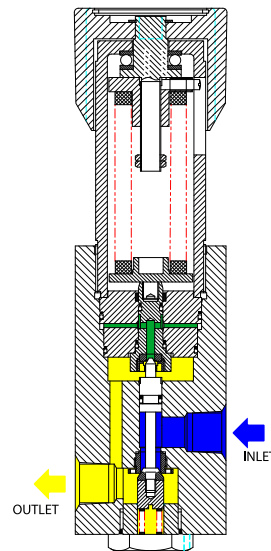


MF-414 SERIES

Medium flow Pressure Reducing Regulator
Piston Sensed for outlet control to 414bar / 6000psi



The MF-414 is a medium flow piston sensed pressure reducing regulator, which incorporates a balanced main valve to provide stable control under varying inlet pressures. The regulator has the option of a PEEK seat for gas service, or 17-4SS for hydraulic service. Both designs have a segregated captured vent to allow pressure reduction of the outlet pressure through a 1/4 NPT port on the side of the regulator body.

APPLICATIONS:

- Valve Actuator Control
- Large diameter pipe testing
- Gas compression systems
- Automated pressure cycling
- Aircraft charging carts

FEATURES:

- 414bar / 6000psi inlet pressure
- Precision machined sensing elements
- Load bearings and large handwheel for low torque adjustment
- Excellent sensitivity
- Self venting and non venting options

STANDARD MATERIALS OF CONSTRUCTION

Regulator part	Material
Bodies and Bonnets	316SS
Main valve pin	316SS
Seat	17-4PH SS or PEEK
Seat nut	316SS
Valve spring	302SS
Sensor and Holder	316SS
Handwheel	Nylon
Spring rests	316SS
'O' ring seals	NBR, Viton or EPDM
Adjusting screw	Alu Bronze
Loading Spring	Spring Steel
Lubricant	Krytox GPL 205

NOTE: Product availability and specifications contained herein are subject to change without notice. Consult local distributor or factory for potential revisions and/or service related issues. // pg 1 of 2

PRESSURE TECH LTD, Unit 6, Graphite Way, Hadfield, Glossop, Derbyshire SK13 1QG
Tel: +44 (0)1457 899307 Fax: +44 (0)1457 899308
e-mail: info@pressure-tech.com

www.pressure-tech.com



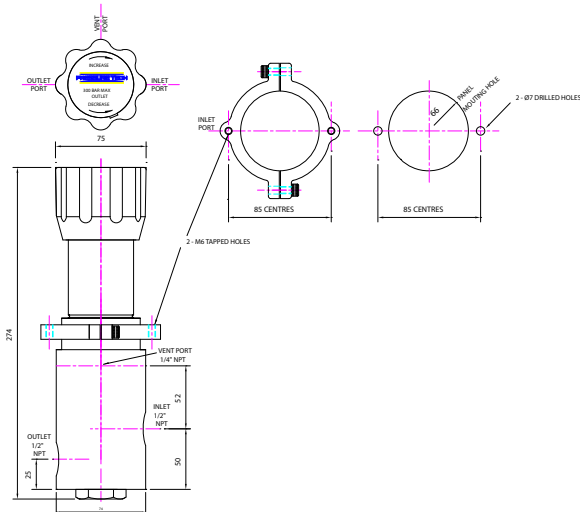
Designed and built in the UK



MF-414 SERIES

Medium flow Pressure Reducing Regulator
Piston Sensed for outlet control to 414bar / 6000psi

INSTALLATION DIMENSIONS:



SPECIFICATION :

Max rated inlet pressure414bar (6000psi)
 Outlet rangesup to 414bar (6000psi)
 Design Proof pressure150% max WP
 Leakage Bubble tight at max WP (tested on Nitrogen)
 Weight6.0kg (8.8lbs)

ORDERING INFORMATION:

MF-414G – 2 – SS – 414S – N – 04N – N – SV

Basic Model
 MF-414G – Gas Service
 MF-414H – Hydraulic Service

Cv Value
 2 – 2.0

Body material
 SS – 316SS

Outlet ranges (Examples*)
 50S – 0 – 50bar
 100S – 0 – 100bar
 200S – 0 – 200bar
 414S – 0 – 414bar

Venting Options
 SV – Self Venting
 NV – Non Venting

Porting configuration
 Refer office

Inlet/outlet connections
 04N – 1/2" NPT
 06N – 3/4" NPT

O Ring
 N – NBR
 V – Viton
 E – EPDM

- Panel Mounting Ring: PT-C-061-003
- Maximum outlet pressure can be set to specific requirements

NOTE: Product availability and specifications contained herein are subject to change without notice. Consult local distributor or factory for potential revisions and/or service related issues. // pg 2 of 2