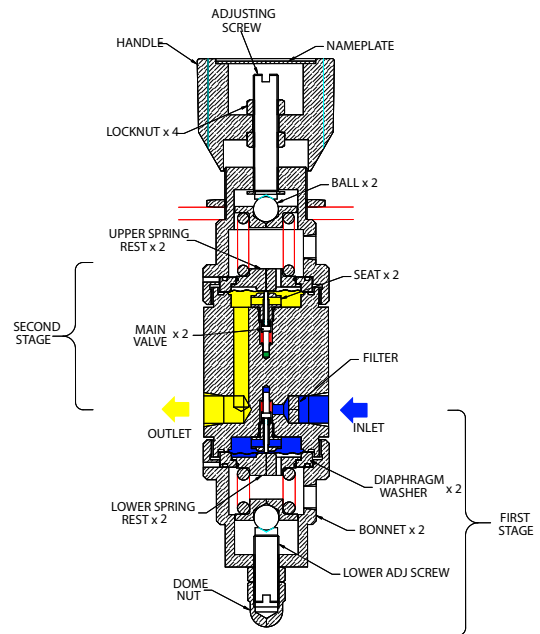


TS-300 SERIES

Two Stage Pressure Reducing Regulator Diaphragm Sensed for outlet control to 25bar / 360psi



*Assembly drawing for reference only. Refer to office for specific detail.

The TS-300 provides stable pressure control under decaying cylinder pressures. The first stage of the regulator is set to 35bar to allow maximum flow capability through the regulator.

APPLICATIONS:

- Gas and Liquid Analyzer Systems
- Gas Cylinder Regulator Assemblies
- Carrier gases
- Laboratories & Research Labs

FEATURES:

Metal to metal sealing diaphragm
Sealing area protected and centralized within the body of the regulator
0.04% decaying pressure effect
'Interstage' relief valve option

STANDARD MATERIALS OF CONSTRUCTION

Regulator part	Material
Body and Bonnet	316SS
Main valve pin	316SS
Soft seat cone	PEEK or PCTFE
Valve spring	Inconel X750
Diaphragm	Inconel X750
Handwheel	Nylon
Diaphragm washer	Brass
Spring rests	316SS
'O' ring seals	Viton
Adjusting screw	Alu Bronze
Loading Spring	302SS

NOTE: Product availability and specifications contained herein are subject to change without notice. Consult local distributor or factory for potential revisions and/or service related issues. // pg 1 of 2

PRESSURE TECH LTD, Unit 6, Graphite Way, Hadfield, Glossop, Derbyshire SK13 1QG
Tel: +44 (0)1457 899307 Fax: +44 (0)1457 899308
e-mail: info@pressure-tech.com



www.pressure-tech.com

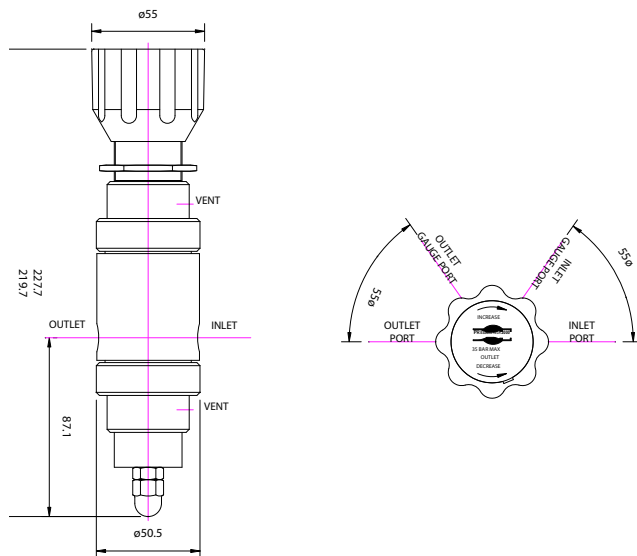
Designed and built in the UK



TS-300 SERIES

Two Stage Pressure Reducing Regulator Diaphragm Sensed for outlet control to 25bar / 360psi

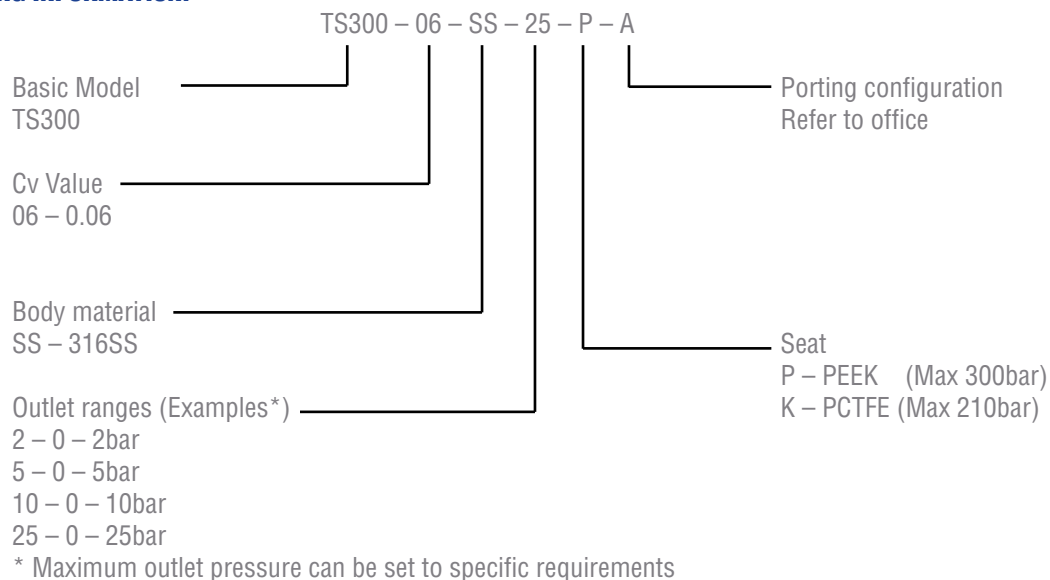
INSTALLATION DIMENSIONS:



SPECIFICATION :

Max rated inlet pressure ..300bar (4350psi) with PEEK seat
 Outlet ranges up to 25bar (360psi)
 Design Proof pressure 150% max WP
 Leakage Bubble tight at max WP (tested on Nitrogen)
 Weight 1.4kg (2.8lbs)
 Temperature range..... -48 to +300deg C
 (materials vary - contact office for details)

ORDERING INFORMATION:



Panel Mounting Ring: PT-C-024

NOTE: Product availability and specifications contained herein are subject to change without notice. Consult local distributor or factory for potential revisions and/or service related issues. // pg 2 of 2